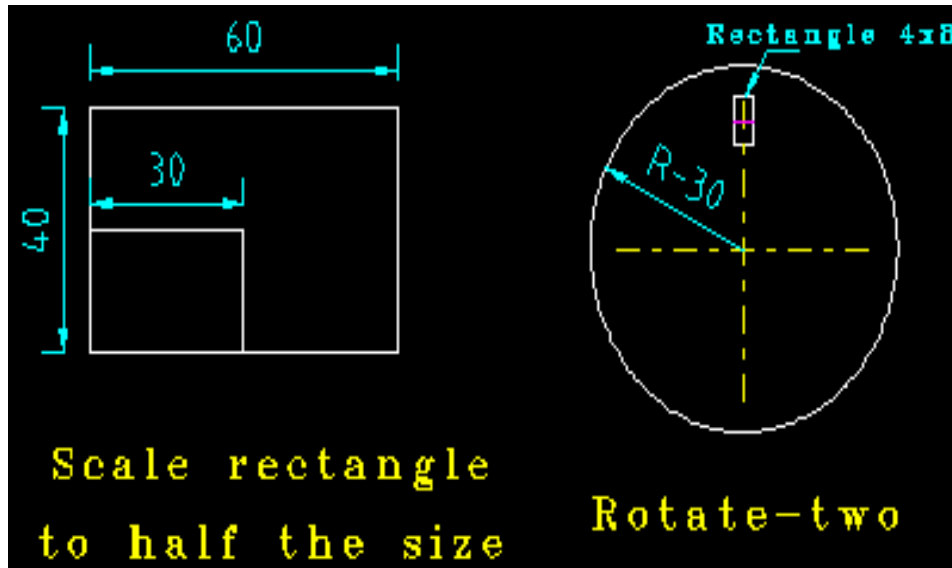


## Assignment – Modification tools to scale and rotate in QCAD

Draw following using tools learnt in this tutorial.



**Scale Tools:** draw rectangle of size 40x60, Scale it so to half the size.

**Rotate-two:** draw circle of radius 30. Draw two lines going through centre of circle of length 50. At the end of the line, draw rectangle of 4x8, draw middle line to get centre of rectangle.

Using rotate-two command to rotate this rectangle to get 10 copies.

Next you can try the angle-b so that rectangle is rotated around main circle's centre but not around itself.